



Electrically heated 1500-4500 W

6 models

Infrared heater IRCF

For spot heating of large premises

Application

IRCF is especially designed for spot heating of premises with large air volumes, such as churches, aircraft hangars and tents. With its high efficiency and compact size it is perfect for many difficult applications.

Comfort

Radiant heaters give an efficient and pleasant heat and individual comfort can be created with spot and zone heating. No moving parts mean a silent system that does not cause air movements or the spreading of particles.

Operation and economy

Radiant heaters have an easy and flexible installation and require a minimum of maintenance. They give instant heat and no preheating is necessary. Radiant heaters can give cost savings of up to 25 % compared to convector heaters, especially in buildings with high ceilings that are used on an irregular basis.

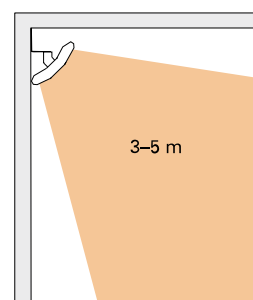
Design

Discreet and compact design with glossy finished or hammered reflectors. Flexible size with one to three lamps.

Product specifications

- Equipped with one to three coloured HeLeN lamps and with glossy finished or hammered reflectors. Hammered reflector gives a more diffuse heat distribution.
- Easy mounting with mounting bracket on the wall or ceiling. The unit can be angled.
- Corrosion proof casing of hot zinc-plated and powder lacquered steel panels. Colour: RAL 1015.
- Protection grille available as an accessory.
- IP20.

Installation height



Infrared heater IRCF



IRCF can be mounted on the wall or on the ceiling and is suitable in buildings which are used sporadically like this go-cart track starting area.



IRCF is often installed in large warehouses. They give instant and effective heat which makes them profitable quickly.



The smallest model of IRCF is excellent for difficult applications like churches.

Infrared heater IRCF

Technical specifications | Infrared heater IRCF with glossy finished reflectors ⚡

Type	Heat output [W]	Voltage [V]	Dimensions LxHxW [mm]	Number of lamps	Weight [kg]
IRCF15	1500	230V~	437x86x202	1	4,3
IRCF30	3000	230V~	437x86x342	2	5,0
IRCF45	4500	230V~/400V3~	437x86x480	3	5,7

Technical specifications | Infrared heater IRCF with hammered reflectors ⚡

Type	Heat output [W]	Voltage [V]	Dimensions LxHxW [mm]	Number of lamps	Weight [kg]
IRCF15M	1500	230V~	437x86x202	1	4,3
IRCF30M	3000	230V~	437x86x342	2	5,0
IRCF45M	4500	230V~/400V3~	437x86x480	3	5,7

Protection class Infrared heater IRCF: (IP20), normal design, CE compliant.

Dimensions

1500 W

3000 W

4500 W

IRCF can be angled.

Type	Width [mm]	Length [mm]
IRCF15	202	437
IRCF30	342	437
IRCF45	478	437

Positioning, mounting and installation

Positioning

To heat a work station, it is suitable to use two units and let the heat flow cross.

Mounting

Delivered with mounting bracket that can be mounted on the wall or ceiling. IRCF must always be mounted horizontally. The unit can be angled. Protection grille GIR is available as an accessory. For minimum mounting distance, see Fig. 1 and 2.

Connection

IRCF is intended for permanent installation.

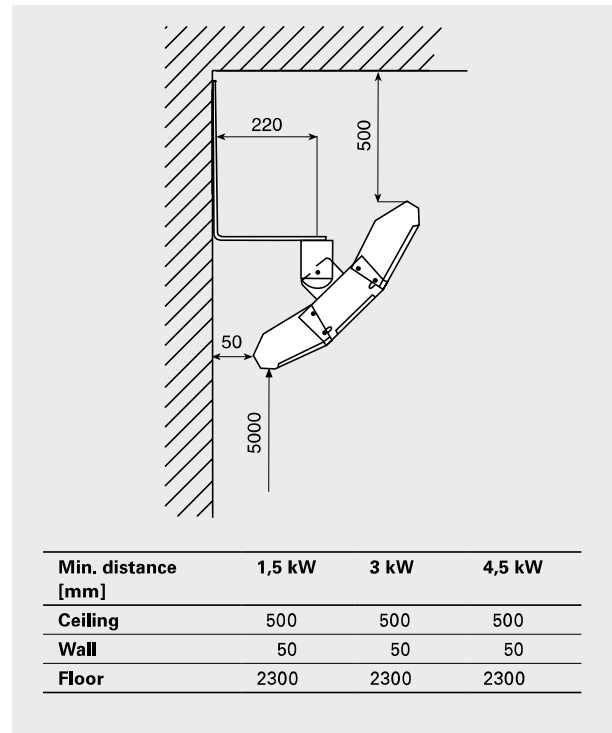


Fig. 1: Minimum mounting distance for wall mounting.

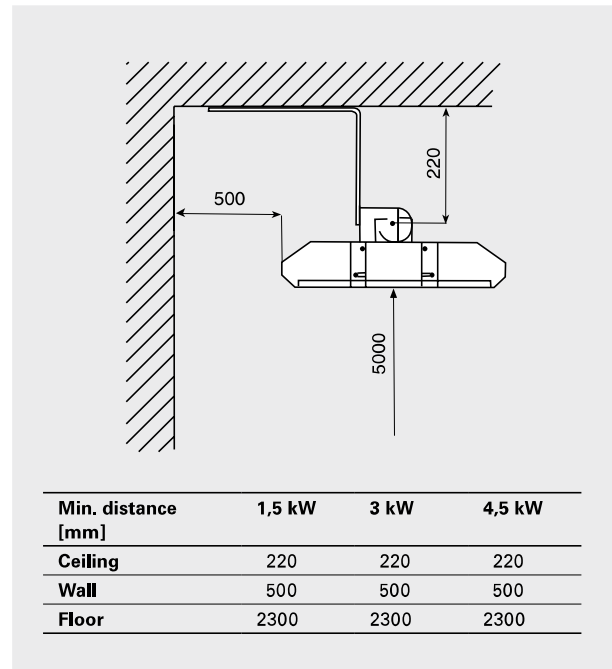


Fig. 2: Minimum mounting distance for ceiling mounting.

Infrared heater IRCF

Control options

Control with timer (monophase)

The timer can be set to desired time. If the load exceeds the limits of the timer or if you want to control large systems, a contactor can be used.

- CBT, timer

Control by timer, contactor and switch (triphase)

Connection is made by a 3-step switch making it possible to manually connect the elements 1 + 1 + 1.

Timer can be set to desired time.

- S123, manual switch for 1-2-3 output steps
- CBT, timer

Control by thermostat, contactor and switch (triphase)

The choice of thermostat depends on needs and environment.

Connection is made by a 3-step switch making it possible to manually connect the elements 1 + 1 + 1.

- T10, external thermostat with concealed knob
- TK10, external thermostat with visible knob
- KRT1900, capillary tube thermostat, IP55
- S123, manual switch for 1-2-3 output steps

For further options, see section on thermostats and controls or contact Frico.

Accessories

LIRCF, extra lamp

HeLeN-lamps of 1,5 kW are replaceable and has a life of about 5000 hours with normal usage.

GIR, protection grille

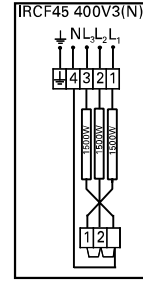
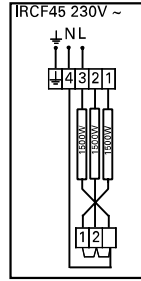
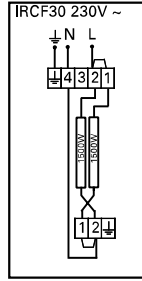
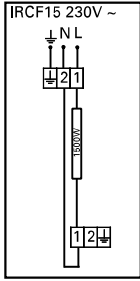
Can be used to protect IRCF in for example sport centres. Available in two different sizes. To IRCF15, one GIR15 is used, to IRCF30 one GIR30 and to IRCF45 three GIR15.

Controls and other accessories

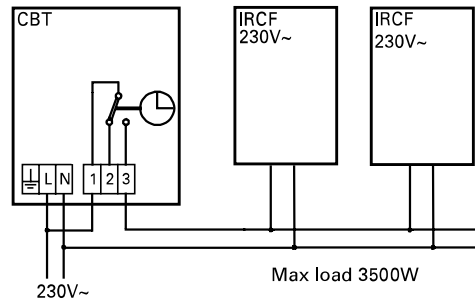
Type	Description	HxWxD [mm]
CBT	Timer	155x87x43
S123	Manual switch for 1-2-3 output steps	72x64x46
T10	External thermostat with concealed knob	80x80x31
TK10	External thermostat with visible knob	80x80x31
KRT1900	Capillary room thermostat, IP55	165x57x60
LIRCF	Extra lamp	165x57x60
GIR15	Protection grille for IRCF15 and IRCF45	
GIR30	Protection grille for IRCF30	

Wiring diagrams IRCF

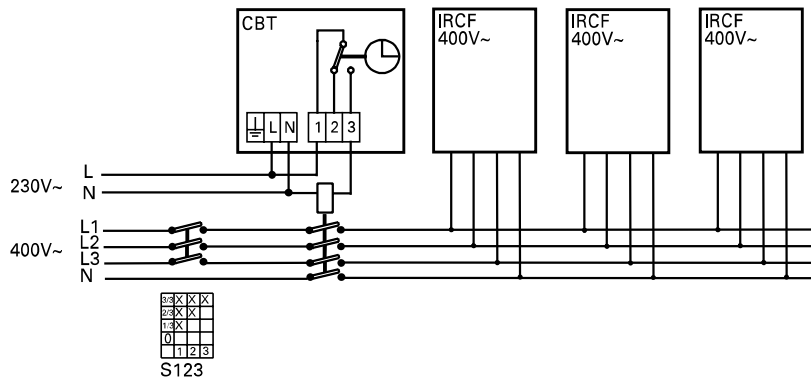
Internal wiring diagrams



Control with timer



Control by timer, contactor and switch (triphas)



Control by thermostat, contactor and switch (triphas)

