3 models **CE**

Fan convector PF

Efficient fan convector for quick heating

Application

Fan convector PF is suitable for most environments, for example, homes and offices. It is also ideal for use in buildings that are rarely used, for example, weekend cottages, where quick heating is required. The fan convector also has very good drying properties. Models up to 800 W have a surface temperature of less than 60 °C which makes them extremely suitable for daycare centres and bathrooms.

Comfort

Convectors and radiators from Frico efficiently produce pleasant heat. The fan in the PF means that a balanced temperature throughout the room is obtained very quickly. The upward directed air flow can also be used to counteract cold draughts from e.g. windows.

Operation and economy

The fan convector consumes less energy than standard convectors. The air flow from the convector, which balances the temperature difference between the floor and ceiling, gives higher efficiency and lower energy consumption compared to convectors without a fan.

Design

Fan convector PF has an attractive and clean design in a white finish. A brushed aluminium front is available as an accessory. The low surface temperature makes it possible to finish the front panel in any colour or a film finish can be applied.

Product specifications

- Fan convector PF is available in the following designs:
 - **PFE** is equipped with a 1.2 metre long cord with plug for connection to an earthed outlet socket (230V~). Can be used as a portable unit, a floor stand is available as an accessory.
 - **PFD** is designed for permanent installation (400V2~).
 - **PFW** is for water based heating. Equipped with a 1.2 metre long cord with plug for connection to an earthed outlet socket. Supplied with two, 0.9 m PEX hoses for easy installation. Works with a heat pump.
- Low sound level.
- Master/slave function (PFE/PFD).
- Integrated thermostat with setting range 5 – +35 °C (PFE/PFD).
- Prepared for night tariffs via external signal (PFE/PFD).
- The air intake is protected by a metal filter which prevents e.g. dust from entering the radiator.
- Corrosion proof housing made of hot zinc-plate and powder enameled steel panels. Colour: RAL 9016, NCS 0500 (standard). A brushed aluminium front is available as an accessory.

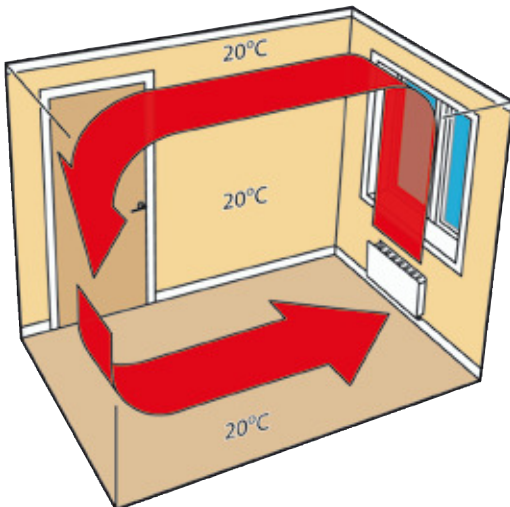
Fan convector PF



Fan convector PF has very good drying properties and is therefore ideal for use in bathrooms.



The low surface temperature makes it possible to finish the front panel in any colour.



The rotating air flow created by the fan convector makes it particularly suitable in areas that require quick heating.



Clean, attractive design and low sound level - fan convector PF is unobtrusive.

Fan convector PF

Technical specifications | Fan convector PFE electrically heated, with cord and plug. ⚡

Type	Output [W]	Voltage [V]	Amperage [A]	LxWxD [mm]	Weight [kg]
PFE5	500	230V~	2,3	598x330x90	6,0
PFE8	800	230V~	3,6	598x330x90	6,0
PFE10	1000	230V~	4,4	598x330x90	6,0
PFE12	1200	230V~	5,3	598x330x90	6,0

Technical specifications | Fan convector PFD electrically heated, for fixed installation. ⚡

Type	Output [W]	Voltage [V]	Amperage [A]	LxWxD [mm]	Weight [kg]
PFD5	500	400V2~	2,3	598x330x90	6,0
PFD8	800	400V2~	3,6	598x330x90	6,0
PFD10	1000	400V2~	4,4	598x330x90	6,0
PFD12	1200	400V2~	5,3	598x330x90	6,0

Technical specifications | Fan convector PFW water heated. 💧

Type	Output*1 [W]	Air flow [m³/h]	Soundlevel*2 [dB(A)]	Voltage [V]	Amperage [A]	LxWxD [mm]	Weight [kg]
PFW10	1,1	59/48	42/32	230V~	0,15/0,07	598x330x90	7,3
PFW20	3,0	165/78	44/33	230V~	0,31/0,13	1058x330x90	12,8

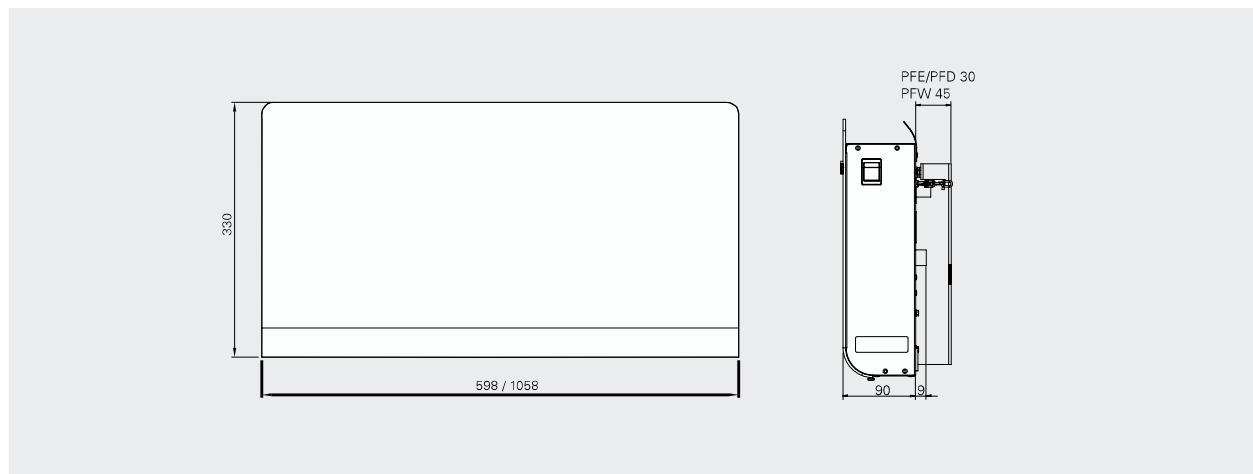
*1) Applicable at water temperature 80/60 °C, air temperature, in +20 °C.

*2) Conditions: Distance to the unit 3 metres. Directional factor: 2. Equivalent absorption area: 50 m².

Protection class: IP23.

Approved by SEMKO and CE compliant.

Dimensions



Mounting and connection

Mounting

Fan convector PF is mounted on the wall. For minimum dimensions with permanent installation, see diagram 1. PFE can also be used as a portable unit; a floor stand is available as an accessory.

Electrical installation

PFE and PFW are equipped with a 1.2 metre long cord with plug for connection to an earthed outlet socket. PFD is intended for permanent installation.

Water connection

The connection is made using flexible hoses (two, 0.9 m PEX hoses). Connection dimensions DN15 (1/2"), male thread.

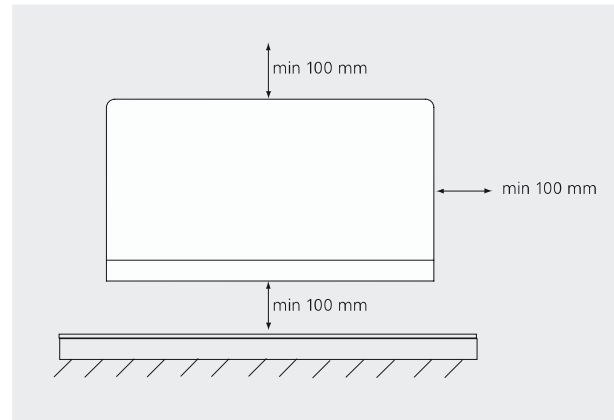


Fig. 1: Minimum distance for fixed installation.

Controls

PFE/PFD features an integrated electronic thermostat with setting range +5 – +35 °C. The fan speed (low/high) can be set on PFW. Electric convectors are prepared for night tariffs via external signal. When installing several electrically heated units, one unit can be used as the master while other units are connected as slaves.

Output charts water

Incoming / outgoing water temperature										
Incoming air temp.= +20 °C										
Type	Fan position	Airflow [m³/h]	Output [kW]	Outgoing air temp. [°C]	Water flow [l/s]	Pressure drop [kPa]	Output [kW]	Outgoing air temp. [°C]	Water flow [l/s]	Pressure drop [kPa]
						Incoming / outgoing water temperature 80/60 °C				
PFW10	max	59	1,09	74	0,01	0,7	0,88	64	0,01	0,6
	min	48	0,90	75	0,01	0,5	0,74	65	0,01	0,4
PFW20	max	165	3,00	73	0,03	7,1	2,44	63	0,02	5,1
	min	78	1,52	77	0,01	2,1	1,25	67	0,01	1,6
						Incoming / outgoing water temperature 60/40 °C				
PFW10	max	59	0,67	53	0,01	0,3	0,54	47	0,01	0,1
	min	48	0,56	55	0,01	0,2	0,46	48	0,01	0,1
PFW20	max	165	1,87	53	0,02	3,2	1,55	47	0,01	1,2
	min	78	0,97	57	0,01	1,0	0,85	52	0,01	0,4
						Incoming / outgoing water temperature 55/45 °C				
PFW10	max	59	0,64	52	0,01	1,1	0,56	48	0,01	0,3
	min	48	0,53	52	0,01	0,8	0,47	49	0,01	0,2
PFW20	max	165	1,77	51	0,04	10,3	1,57	48	0,01	2,4
	min	78	0,89	53	0,02	3,0	0,83	51	0,01	0,8

Accessories

Type	Description
PFFAL	Front, brushed aluminium (not PFW20)
PFFS	Floor stand for PFE